

**WELDING | GRINDING | DEBURRING | POLISHING | SANDING | THERMAL CUTTING |  
DRY DUST | HAZARDOUS DUST | SANDBLASTING | POWDER COATING**

The Coral EVOLUTION NO-SMOKE self-supporting suction arm represents the best possible solution for the removal of welding smoke, gas, vapors, aerosol, oil fumes, dust, etc.

Coral has specifically designed the EVOLUTION NO-SMOKE to be in full compliance with all standards regarding safety in the work place for the removal of hazardous fumes and polluting substances from the working environment

**WORKING PRINCIPLE**

The polluted air is extracted at the source via a fully articulated hood and passes through the sturdy sheet metal piping (available in zinc-plated, scratch-proof enameled and aluminum) to a high efficiency extraction system or the centralized piping in the plant.

The unique design and construction features of the patented Coral EVOLUTION NO-SMOKE are coupled together by special external articulated joints that allow for quick and easy movement not offered by other lower cost brands. The completely balanced and easy to operate design is unique and the durable construction will provide many years of reliable and trouble free operation.

**360° ROTATION**

The Coral EVOLUTION NO-SMOKE arm is equipped with a metallic rotary bearing which enables rotation through a full 360° if installed on its special stand. The flow of polluted air flows undisturbed through the suction arm and is not hindered by internal joints found on competitive models. Due to the reduced length of the hose used in the elbows, load losses are far lower than that of other similar systems on the market.

By offering less restriction in the air flow and lower suction load losses, the installation site can install smaller motors on fans which allows for energy savings, lower air flow speed, which equals less noise.

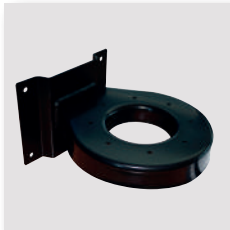
# EVOLUTION NO-SMOKE

Fume & Dust extraction arm

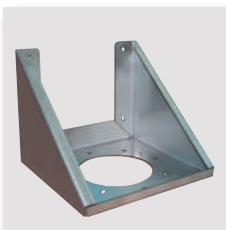


WALL MOUNTED VERSION ▶

## OPTIONS



◀ WALL SUPPORT FOR 1 PC EVOLUTION ARM



STAINLESS STEEL WALL SUPPORT ▶  
FOR 1 PC EVOLUTION ARM

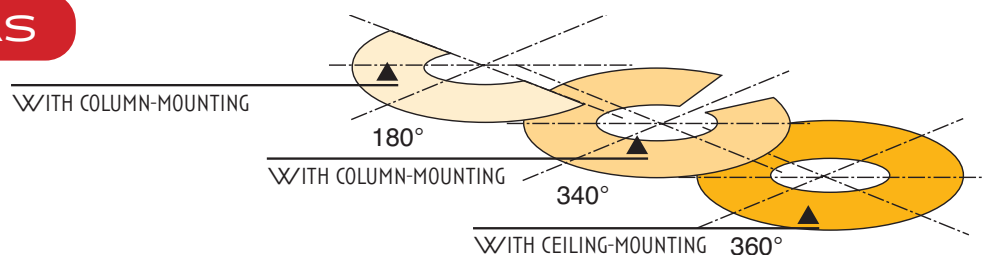


◀ LIGHT KIT COMPLETE WITH: LED LAMP 12V. 2W,  
CURRENT TRANSFORMER, LAMP CARTER, SWITCH



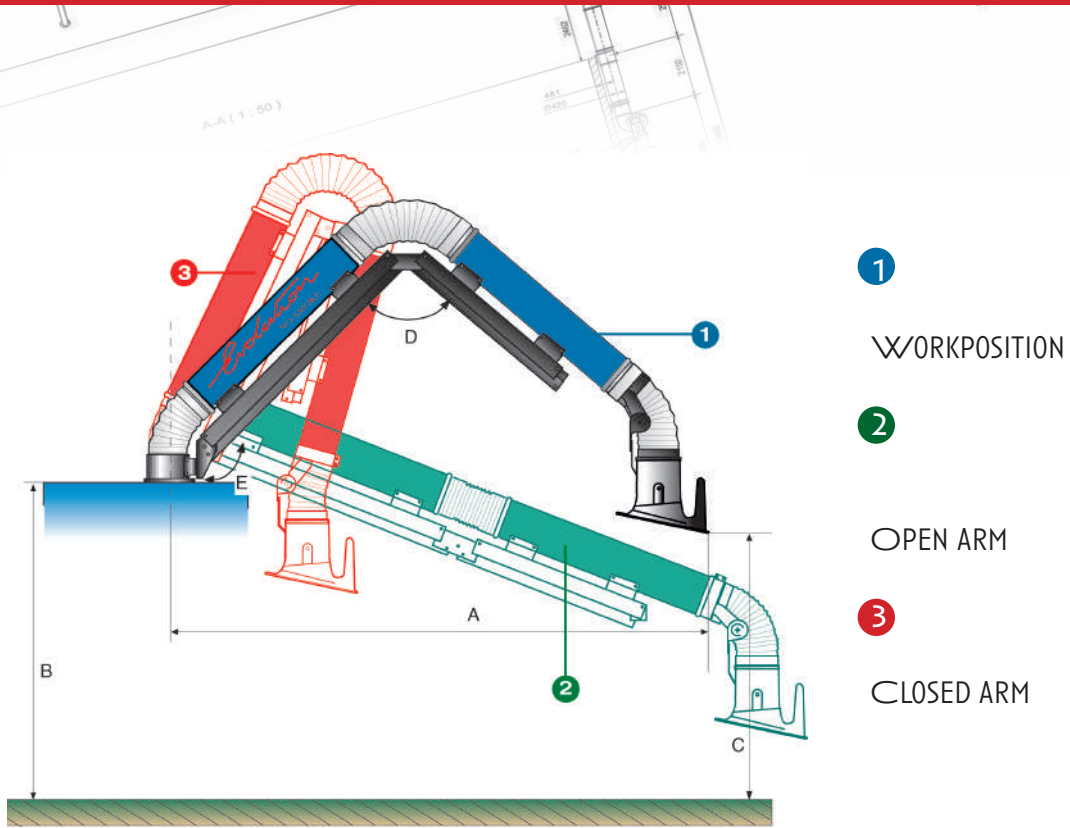
TRAILER MOUNTED VERSION ▶

## COVERED AREAS



# TECHNICAL FEATURES

## TRAILER MOUNTED VERSION

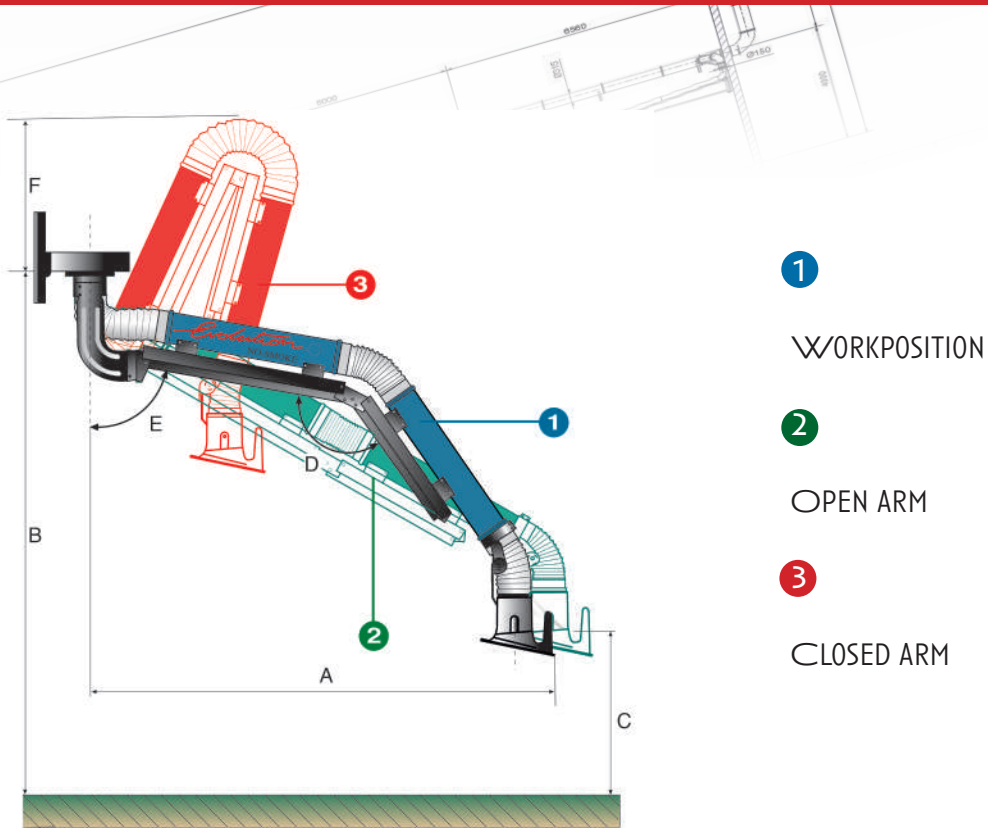


|                     |   | INCHES | Ø 4"  | Ø 6"   | Ø 8"  | Ø 10" |
|---------------------|---|--------|-------|--------|-------|-------|
|                     |   | FEET   | 9'    | 10'    | 10'   | 10'   |
| <b>WORKPOSITION</b> | A |        | 78.7" | 90.5"  | 66.9" | 68.9" |
|                     | B |        | *     | *      | *     | *     |
|                     | C |        | *     | *      | *     | *     |
|                     | D |        | 110°  | 110°   | 75°   | 110°  |
|                     | E |        | 125°  | 125°   | 125°  | 125°  |
| <b>OPEN ARM</b>     | A |        | 90.5" | 102.3" | 97.2" | 98.8" |
|                     | B |        | *     | *      | *     | *     |
|                     | C |        | *     | *      | *     | *     |
|                     | D |        | 180°  | 180°   | 180°  | 180°  |
|                     | E |        | 90°   | 90°    | 90°   | 90°   |
| <b>CLOSED ARM</b>   | A |        | 14.5" | 25.2"  | 27.9" | 27.5" |
|                     | B |        | *     | *      | *     | *     |
|                     | C |        | *     | *      | *     | *     |
|                     | D |        | 0°    | 0°     | 0°    | 0°    |
|                     | E |        | 180°  | 180°   | 180°  | 180°  |

\* According to use    Alla data are indicated in inches.

# TECHNICAL FEATURES

## WALL MOUNTED VERSION



- 1** WORKPOSITION
- 2** OPEN ARM
- 3** CLOSED ARM

|                     | INCHES | Ø 4"   | Ø 6"   | Ø 6"   | Ø 8"   | Ø 8"   | Ø 10"  | Ø 10"  |
|---------------------|--------|--------|--------|--------|--------|--------|--------|--------|
|                     | FEET.  | 9'     | 10'    | 13'    | 10'    | 13'    | 10'    | 13'    |
| <b>WORKPOSITION</b> | A      | 86.6"  | 96.4"  | 129.9" | 93.1"  | 125.9" | 96.4"  | 129.1" |
|                     | B      | 118.1" | 118.1" | 118.1" | 118.1" | 118.1" | 118.1" | 118.1" |
|                     | C      | 59"    | 55.1"  | 78.7"  | 47.2"  | 55.1"  | 47.2"  | 55.1"  |
|                     | D      | 110°   | 145°   | 110°   | 140°   | 115°   | 140°   | 115°   |
|                     | E      | 100°   | 80°    | 120°   | 80°    | 105°   | 80°    | 105°   |
| <b>OPEN ARM</b>     | A      | 86.6"  | 110.2" | 141.7" | 102.3" | 146.8" | 118.1" | 157.4" |
|                     | B      | 118.1" | 118.1" | 118.1" | 118.1" | 118.1" | 118.1" | 118.1" |
|                     | C      | 47.2"  | 90.5"  | 59"    | 86.6"  | 87.8"  | 86.6"  | 87.8"  |
|                     | D      | 145°   | 180°   | 150°   | 180°   | 180°   | 180°   | 180°   |
|                     | E      | 78°    | 90°    | 90°    | 90°    | 90°    | 90°    | 90°    |
| <b>CLOSED ARM</b>   | A      | 23.6"  | 35.4"  | 39.3"  | 31.5"  | 39.3"  | 39.3"  | 47.2"  |
|                     | B      | 118.1" | 118.1" | 118.1" | 118.1" | 118.1" | 118.1" | 118.1" |
|                     | C      | 82.7"  | 82.7"  | 82.7"  | 77.5"  | 78.7"  | 77.5"  | 78.7"  |
|                     | D      | 10°    | 10°    | 10°    | 10°    | 10°    | 10°    | 10°    |
|                     | E      | 155°   | 150°   | 150°   | 150°   | 155°   | 150°   | 150°   |
|                     | F      | 15.7"  | 53.1"  | 33.4"  | 56.3"  | 35.4"  | 37.4"  | 59"    |

All data are indicated in inches

**\* OPTIONAL**



Evolution No-Smoke with wall support\*

▲ Evolution No Smoke ø6" - 13 feet enamelled painted with fan\*



▲ Evolution No Smoke ø6" - 10 feet enamelled painted trailer mounted version

▶ Evolution ø4" - 6.9 feet enamelled painted for bench top mounting



▲ Evolution No-Smoke whit "BANDIERA"\*/: possibility to reach the length of 26.3 feet.



▲ Evolution No-Smoke with roof mounting bracket\*